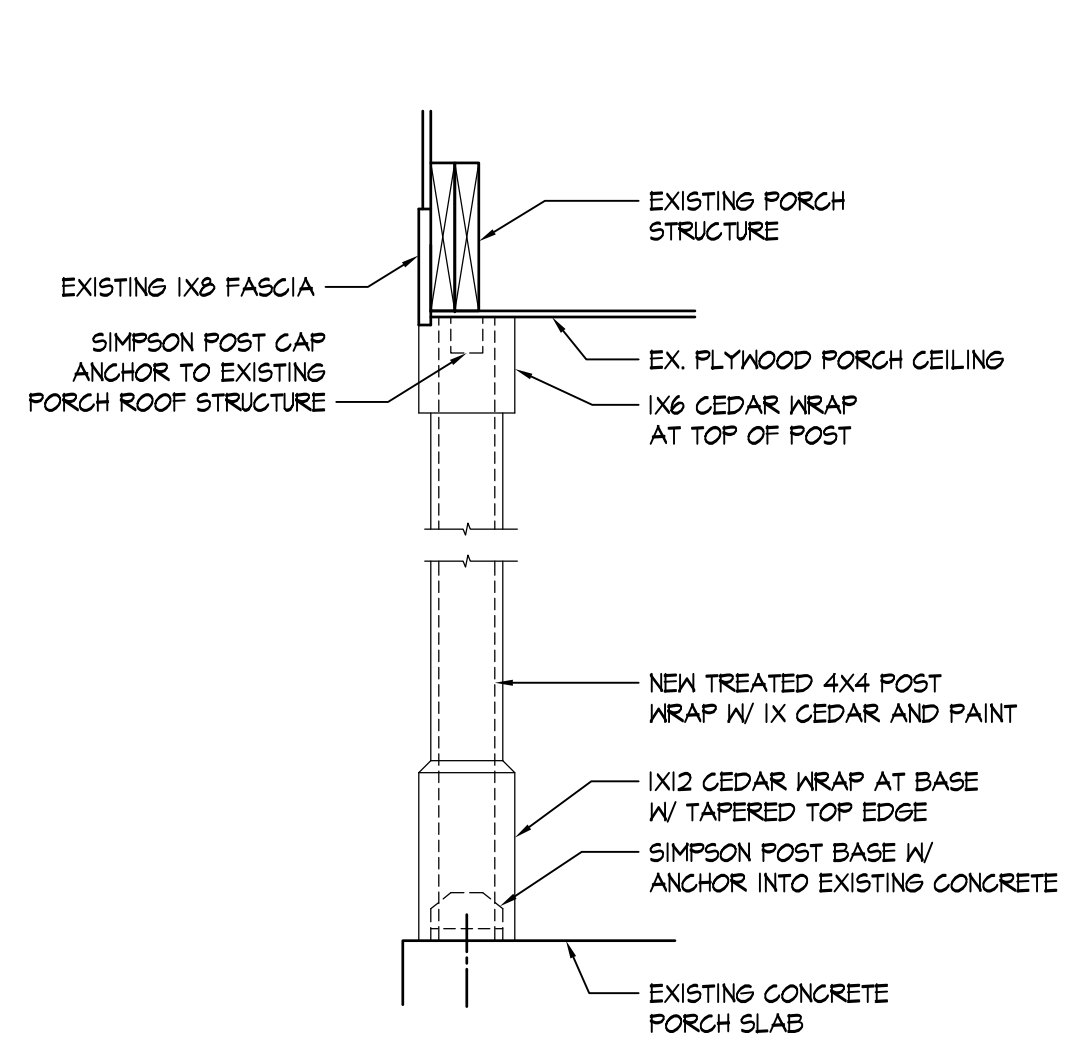
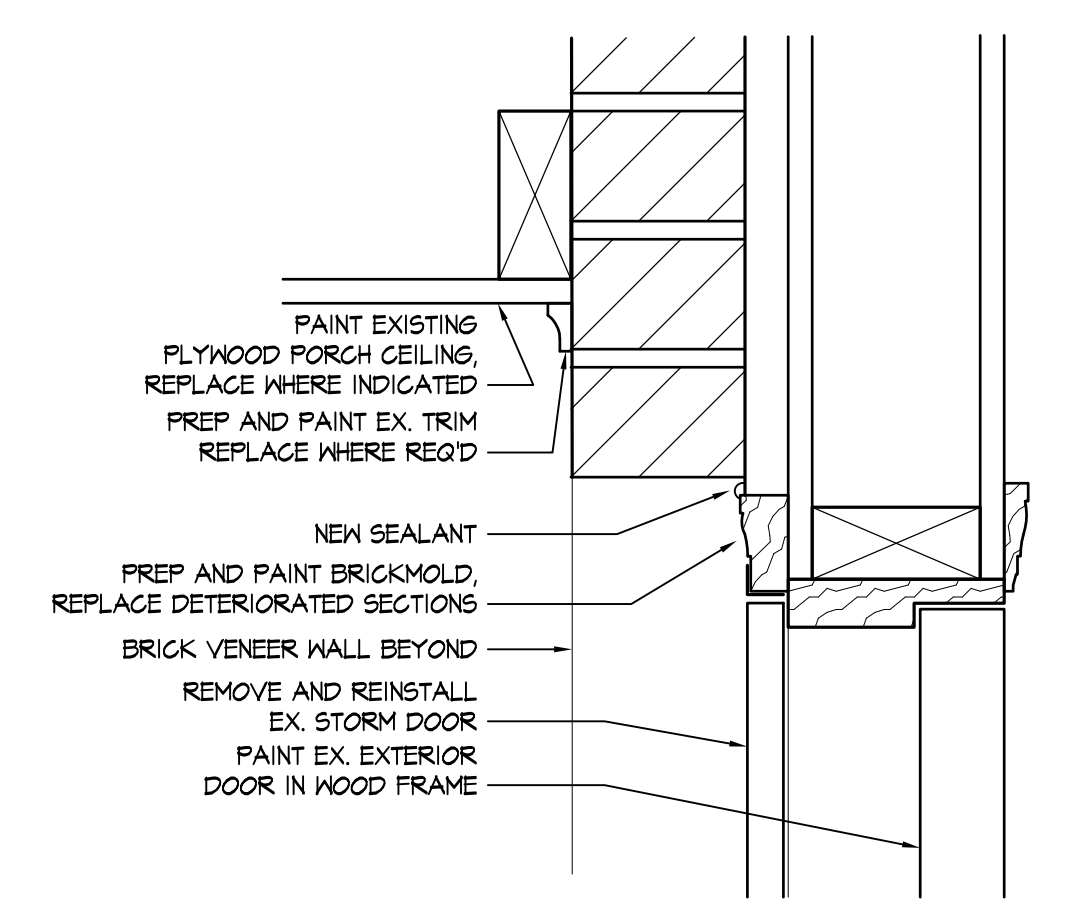


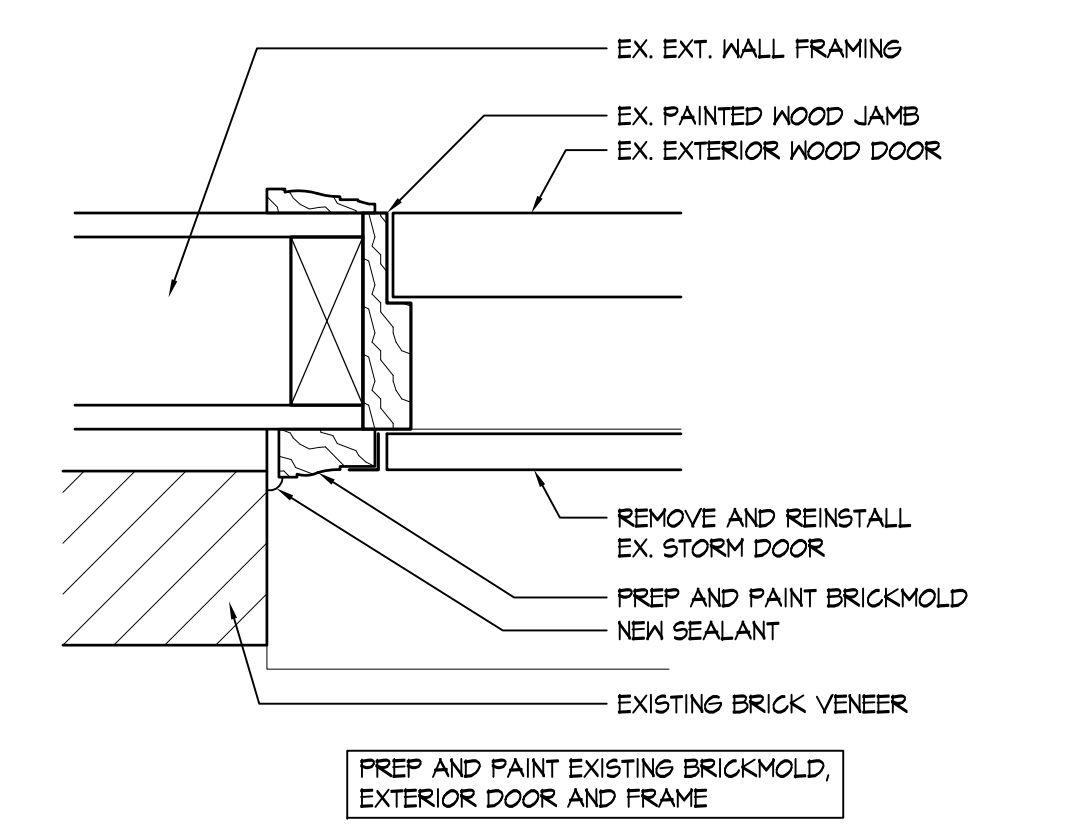
**A SOFFIT DETAIL**  
SCALE: 3" = 1'-0"  
0 2" 4" 8"



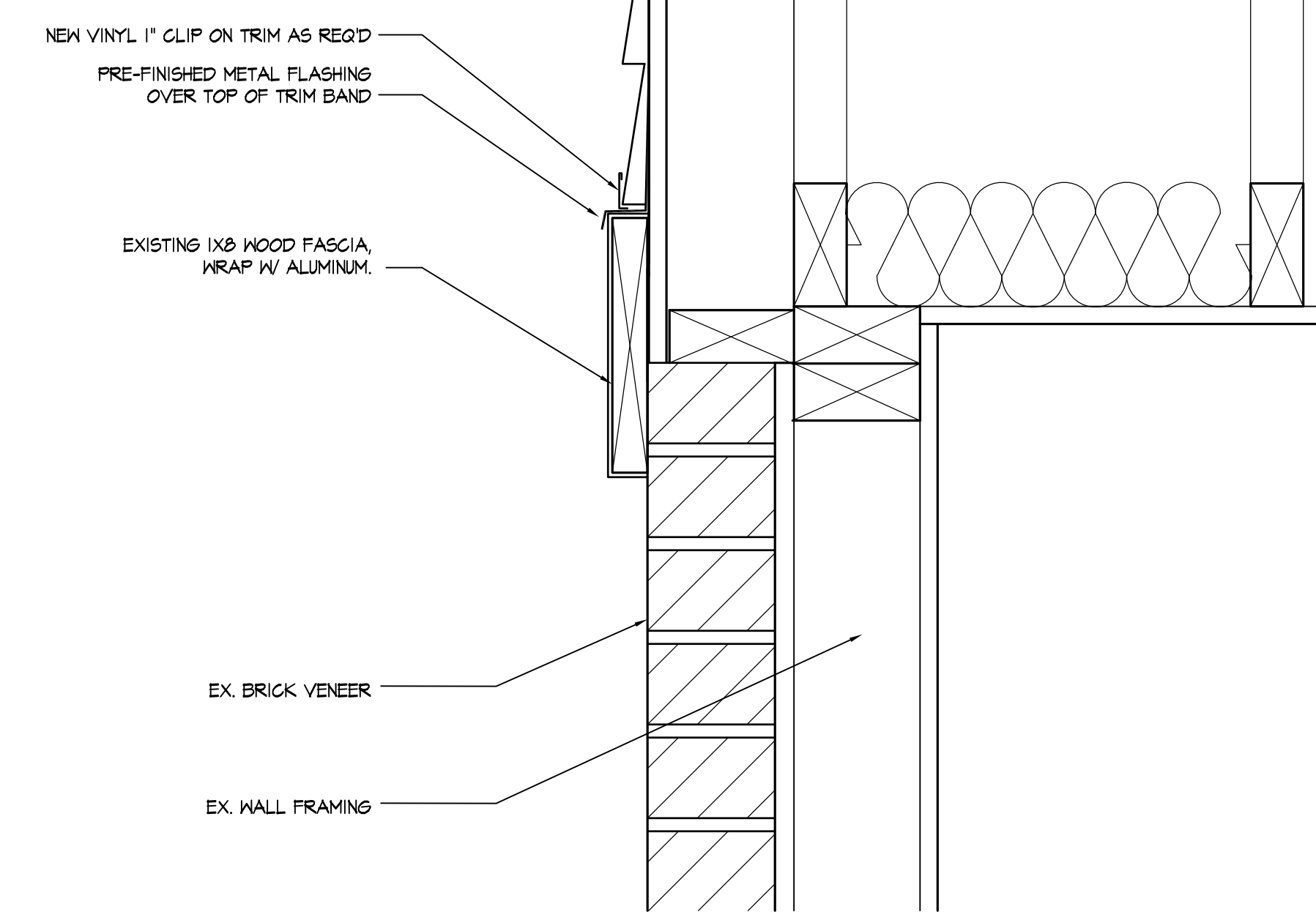
**B PORCH COLUMN DETAIL**  
SCALE: 1" = 1'-0"  
0 6" 1'-0" 2'-0"



**C DOOR HEAD DETAIL**  
SCALE: 3" = 1'-0"  
0 2" 4" 8"



**D DOOR JAMB DETAIL**  
SCALE: 3" = 1'-0"  
0 2" 4" 8"



**E GABLE END/RAKE DETAIL**  
SCALE: 3" = 1'-0"  
0 2" 4" 8"

PARTIAL EXTERIOR MODERNIZATION AT:  
**40 & 42 HELENA STREET**  
HELENA STREET  
OH5-5 AMP 1  
PREPARED FOR:  
DAYTON METROPOLITAN HOUSING AUTHORITY

Print Record

5/13/10	S.D. REVIEW
6/30/10	100% REVIEW
7/8/10	BID SET

Project Number  
2010-16

Date  
JULY 8, 2010

Sheet Title  
DETAILS

Sheet Number